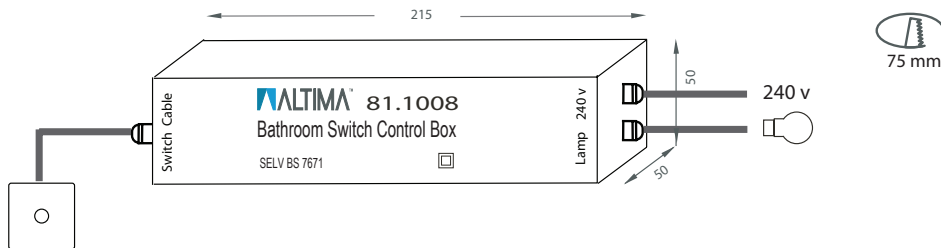


SELVA Switch Pack for use inside bathroom

The Altima SELVA bathroom switch controller allows electrical switches to be used safely inside bathrooms, provided that they are installed in the Zone 2 areas, as per regulation 601-05 of BS7671 and EN 60950, with minimum load 50 watt. See our diagram on the following page.

The ALTIMA bathroom switch controller isolates the wall lighting switch from the mains power supply so that only Safe Extra Low Voltage current is present. There are special Altima SELVA Switch Packs to operate dimmers and for use with LED and fluorescent lighting.



SELVA Switch Packs

- 81.1008** SELVA Switch Pack
- 81.1009** SELVA Dimmer Switch Pack for use with LS.D700 for Halogen/Tungsten Lamp
- 81.1010** SELVA Fluorescent Dimmer Pack
- 81.1011** SELVA LED Switch Pack

ALTIMA Switches for use inside bathroom in Zone 2

Single Plate 1 Button Dimmer

- 81.2001.12** Chrome
- 81.2001.34** Brushed Nickel
- 81.2001.35** Antique Brass
- 81.2001.37** Bronze
- 81.2001.50** Black
- 81.2001.57** White

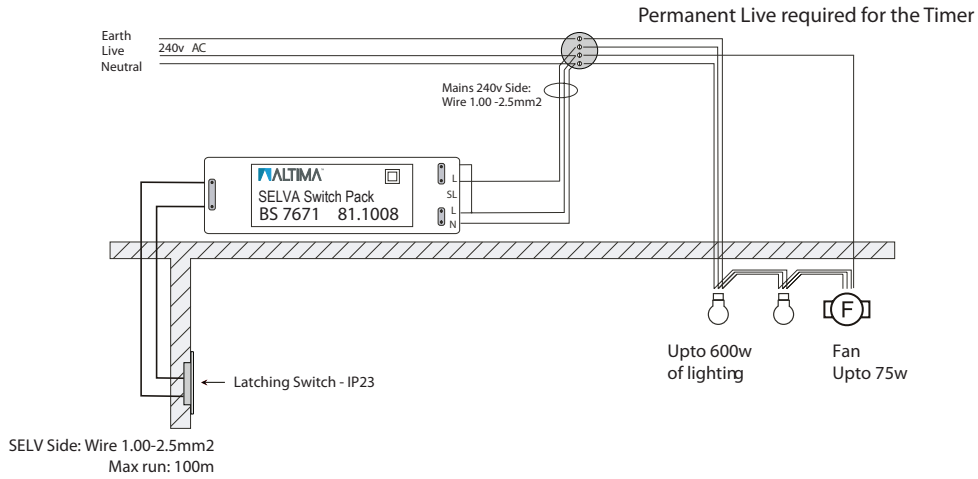
Single Plate 2 Button Dimmer

- 81.2002.12** Chrome
- 81.2002.34** Brushed Nickel
- 81.2002.35** Antique Brass
- 81.2002.37** Bronze
- 81.2002.50** Black
- 81.2002.57** White

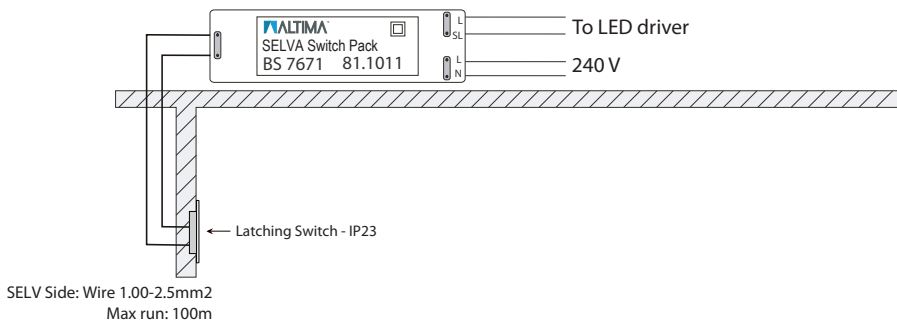
Single Plate 1 Button Switch on/off

- 81.2301.12** Chrome
- 81.2301.34** Brushed Nickel
- 81.2301.35** Antique Brass
- 81.2301.37** Bronze
- 81.2301.50** Black
- 81.2301.57** White

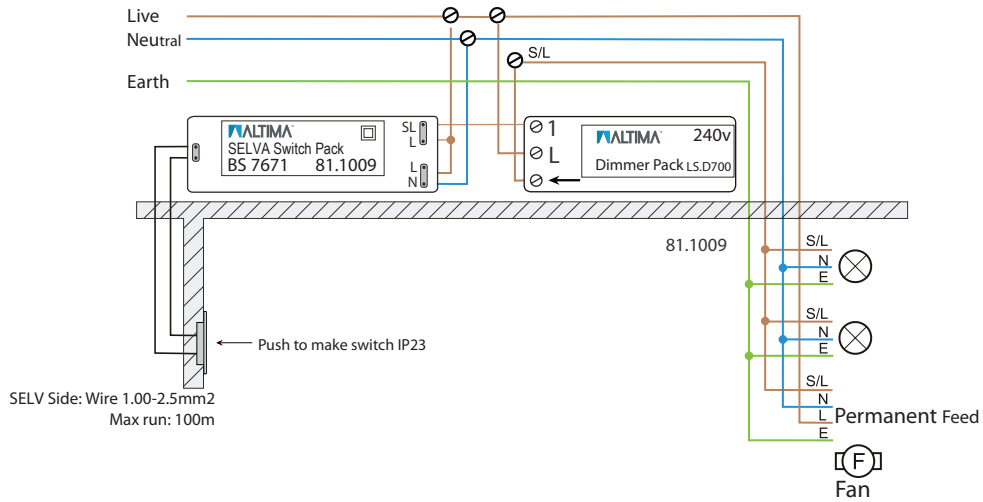
Wiring Diagram SELVA Switching for Halogen, Fluorescent and Tungsten 81.1008



Wiring Diagram SELVA Switching LED. 81.1011



Wiring Diagram SELVA Dimming for Halogen, Fluorescent and Tungsten 81.1009 LS.D700



Wiring

The SELVA switch Pack is prewired as illustrated. We recommend the wall light switch to be IP23 rated. If the Load is less than 40 watt LED, please use 81.1011.
Under 17th Edition of Wiring Regulations typically lighting installations controlling 230v circuits would be backed by RCD (Residual Circuit Device) protection.

Technical Data	LS.D700	81.1008	81.1011
Nominal Supply Voltage	240v AC		
Min Load	50 w		
Max Load	1000 w		
Ambient Temperature	35°C		
Cut out	75 mm		
Approvals	BS 7671 EN 60950		