




Tristar

Tristar 70 / 150 / 250w G12 / E27

Tristar is a triple headed fitting for tungsten, halogen or metal halide lamps on a single stem.

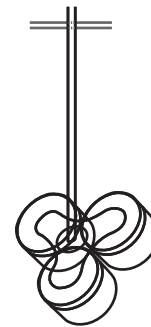
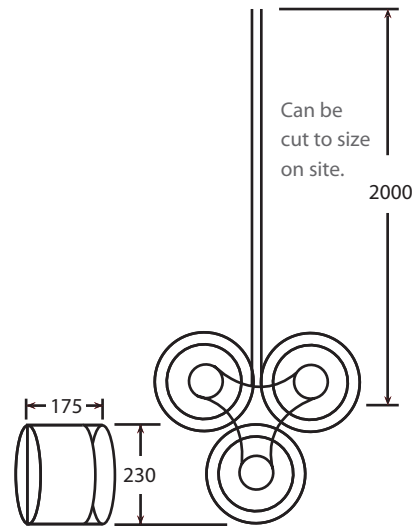
The tungsten halogen versions can be fitted with colour filters and each head can be independently dimmed, so that with RGB filters the light colour can be infinitely varied.

Metal Halide

18.1070.03	70w	
18.1075.03	150w	

Tungsten Halogen

18.1000.03	150 / 250w	
------------	------------	---



Technical Data

Material	aluminium
Control Gear	HF electronic ballast
Lamp Wattage	70 / 150w Metal Halide or 150 / 250w Tungsten Halogen
Lamp Holder	G12 or E27
Mounting	clamp for 50m tube
Filters	colour filters available on request