

Aquaray 5 LED Downlight

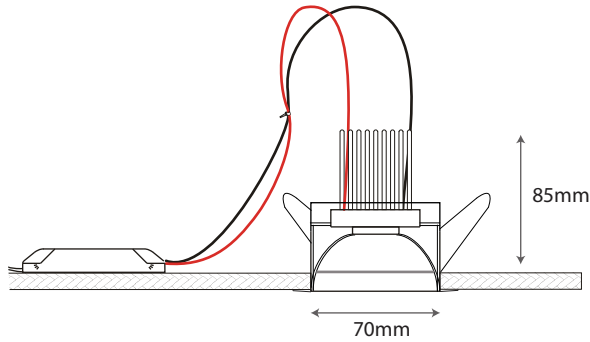


L Aquaray 5 LED Downlight 1000 lumen 11w LED

The LED is set high in a deep glare reducing baffle with frosted glass, the fitting is supplied prewired, for ease of installation.

The wall switch for these can be fitted inside the bathroom, please see pages 4A1.2.3

High output 11watt LED,1000 lumen,3000 kelvin.



L LED with Firehood

- Switched
 - 12.6530L.34** Brushed Nickel
 - 12.6530L.57** White
- 1-10v Dimmable
 - 12.6530LD.34** Brushed Nickel
 - 12.6530LD.57** White
- DALI Dimmable
 - 12.6530LDD.34** Brushed Nickel
 - 12.6530LDD.57** White
- Trailing Edge Dimmable
 - 12.6530LDT.34** Brushed Nickel
 - 12.6530LDT.57** White

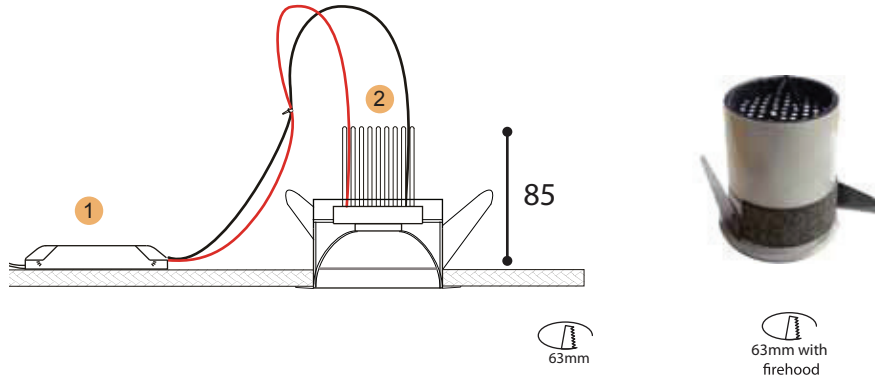
- Switched
 - 12.6532L.34** Brushed Nickel
 - 12.6532L.57** White
- 1-10v Dimmable
 - 12.6532LD.34** Brushed Nickel
 - 12.6532LD.57** White
- DALI Dimmable
 - 12.6532LDD.34** Brushed Nickel
 - 12.6532LDD.57** White
- Trailing Edge Dimmable
 - 12.6532LDT.34** Brushed Nickel
 - 12.6532LDT.57** White



Aquaray 5 LED Downlight

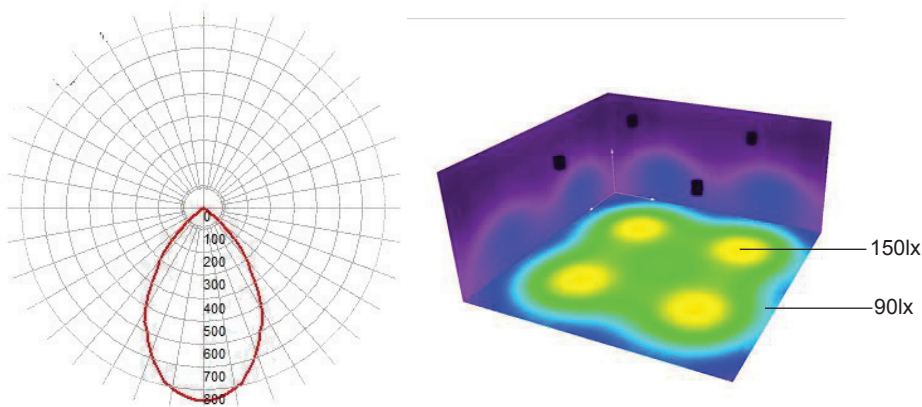
Lana LED Technical Data

Material	Aluminium	Dimming	1-10v Dimmable with 81.1015
Cutout	63mm		DALI
LED	11w 1000 lumen 3000 Kelvin 2700k/5600k option available		Trailing Edge
Protection	IP65	CRI	80
Approvals			



- 1 Switched or Dimmable driver
- 2 Firehood option

Light Distribution for Aquaray 5



Aquaray 5 shown in a typical room (5x5m) with a ceiling height of 2.4m

Dimming

For information on dimming controls, please see section 9 Wafer range for dimming options 1-10v, DALI and Trailing edge.

Emergency

Emergency option supplied complete with relevant gear and battery pack.
Electronic emergency test switch available, please see page 7C1 for 81.EM02.57
For information on Flexible Emergency Lighting Remote Power Packs see page 7A4.