

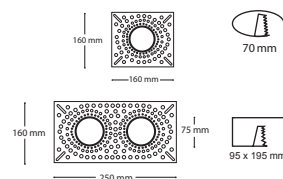
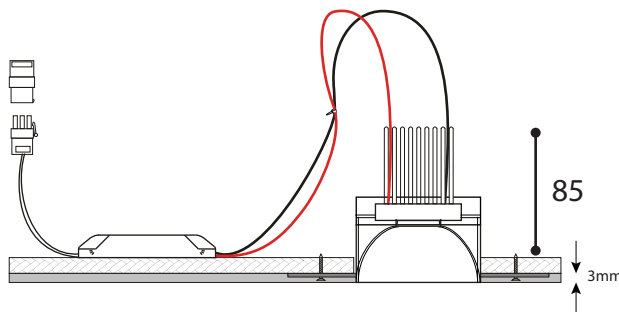


L Lana 5 Fixed Trimless LED Downlight 1000 lumen 11w LED

A perforated metal plate is fixed to the ceiling with a downstanding metal lip to allow for 3mm skim of plaster.

High output 11watt LED, 1000 lumen, 3000 kelvin. We can supply 6000 kelvin, cool white available on request.

The LED is set high in a deep glare reducing baffle, the fitting is supplied prewired, for ease of installation.

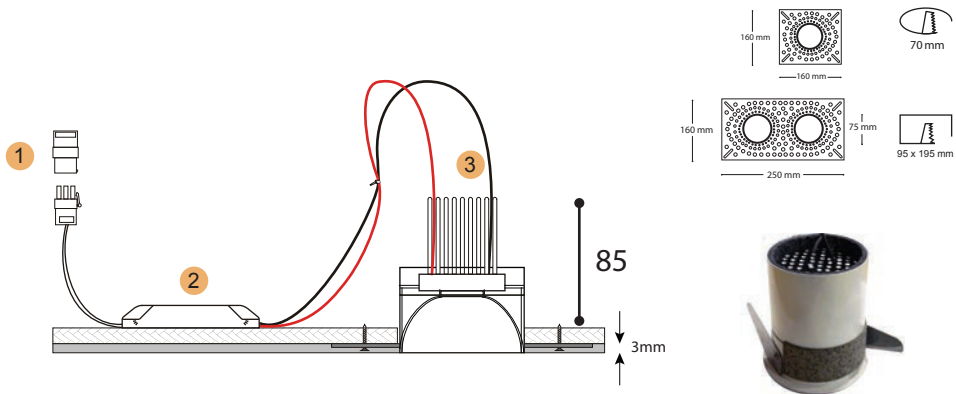


LED Switch		with Firehood	
12.5020L.57	White	12.5022L.57	White
12.5220L.57	White	12.5222L.57	White
1-10v Dimmable		1-10v Dimmable	
12.5020LD.57	White	12.5022LD.57	White
12.5220LD.57	White	12.5222LD.57	White
DALI Dimmable		DALI Dimmable	
12.5020LDD.57	White	12.5022LDD.57	White
12.5220LDD.57	White	12.5222LDD.57	White
Trailing Edge Dimmable		Trailing Edge Dimmable	
12.5020LDT.57	White	12.5022LDT.57	White
12.5220LDT.57	White	12.5222LDT.57	White



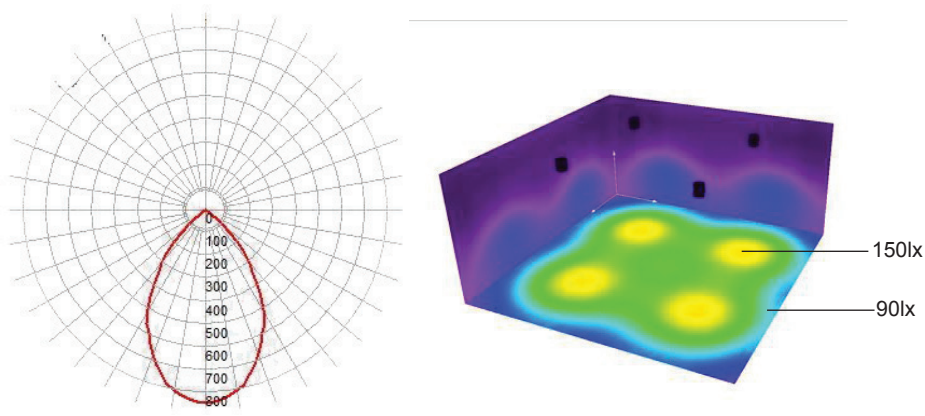
Lana LED Technical Data

Material	Aluminium	Dimming	1-10v Dimmable with 81.1015
Cutout	70mm		DALI
LED	11w 1000 lumen 3000 Kelvin		Trailing Edge
CRI	80		
Protection	IP23		
Approvals			



- 1 Primary plug and socket, enabling the socket to be prewired with first fix
- 2 Switched or Dimmable driver
- 3 Firehood option

Light Distribution for Lana Cone



Lana 5 Trimless shown in a typical room (5x5m) with a ceiling height of 2.4m

Dimming

For information on dimming controls, please see section 9 Wafer range for dimming options 1-10v, DALI and Trailing edge.

Emergency

Emergency option supplied complete with relevant gear and battery pack.
 Electronic emergency test switch available, please see page 7C1 for 81.EM02.5
 For information on Flexible Emergency Lighting Remote Power Packs see page 7A4.